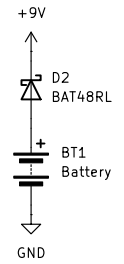


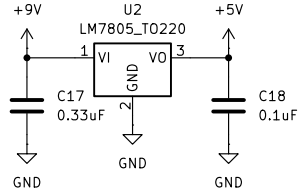
the larger of the two inductances in each coupled inductor are critical – they are part of the parallel LC tank. you will definitely need to adjust these in place. it is easier to remove windings than add windings. you will need a VNA for this.

the overall turns ratio is non-critical other than for adjusting input/output impedance or overall Q (depending on which you take to be a fixed value) – in this application, this is not important, as neither the antenna nor mixer inputs are matched.

L1 and L2 should be wound on T37-6 toroids as illustrated for 40m. larger inductance should be 5.02uH. consult <https://qrp-labs.com/images/bpfkit/bpf3.pdf> for other configurations.

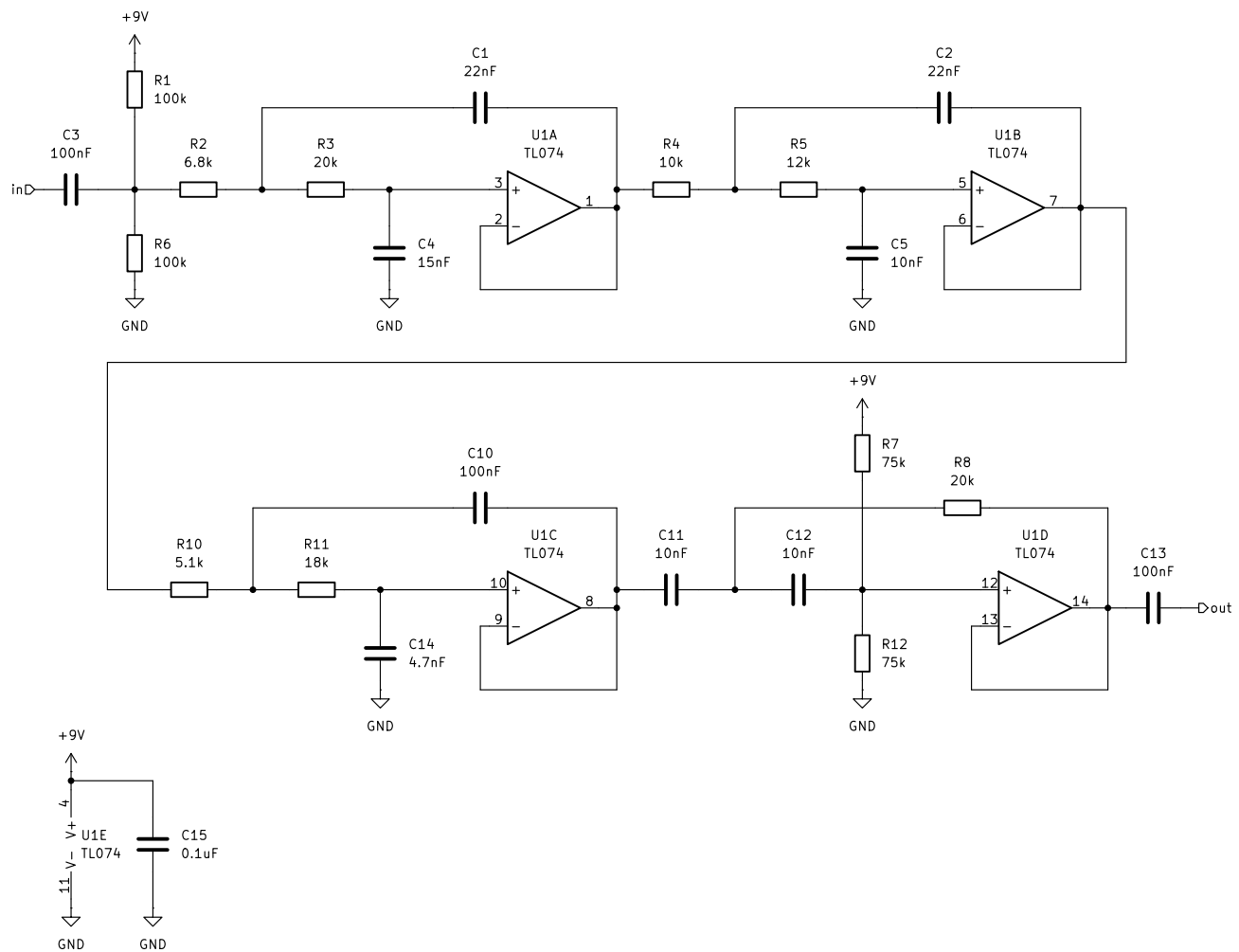


if using bare copperclad fr4 – go ahead and solder the tab to the board. that should be sufficient heatsinking.



Sheet: /	
File: transceiver.kicad_sch	
Title: direct conversion receiver	
Size: A4	Date: 2026-02-01
KiCad E.D.A. 9.0.9	Rev: 1
	Id: 1/3

ideally, all caps (except C15) here should be film caps.
 does it matter if they are ceramics? probably not!
 use resistor tolerances no greater than 5%



Sheet: /AF BPF/
 File: af-bpf.kicad_sch

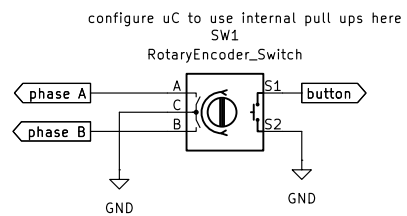
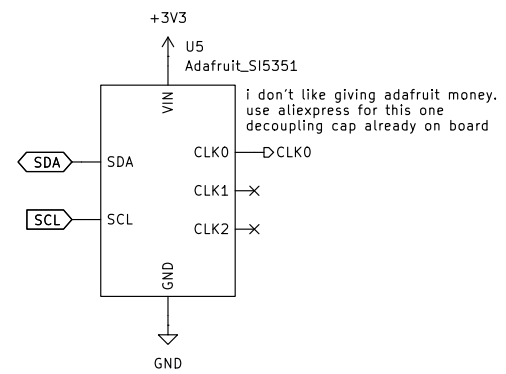
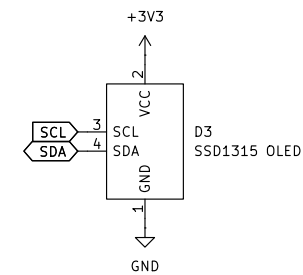
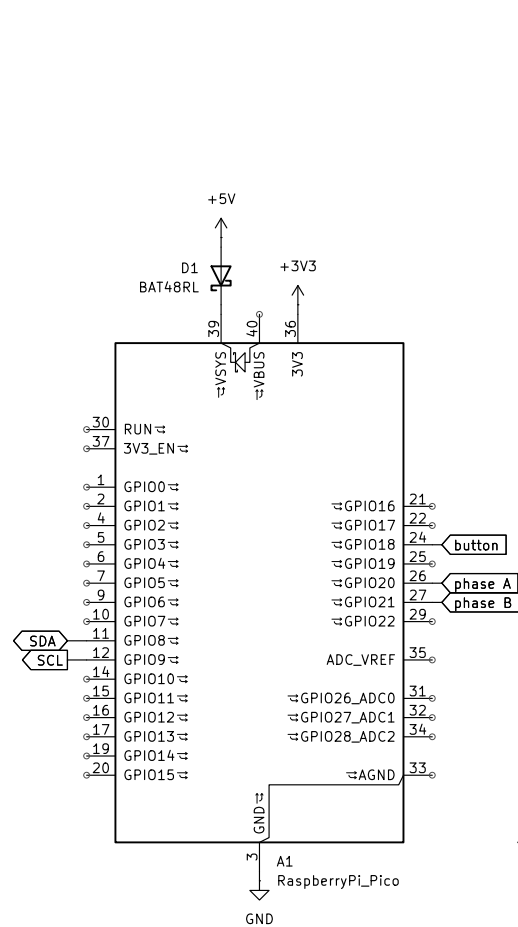
Title: AF CW filter

Size: A4 Date: 2026-02-01

KiCad E.D.A. 9.0.9

Rev: 1

Id: 2/3



Sheet: /VFO/		Date: 2026-02-01	
File: vfo.kicad_sch		Rev: 1	
Size: A4	KiCad E.D.A. 9.0.9	Id: 3/3	